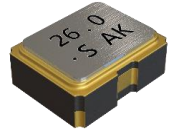


CRYSTAL OSCILLATOR

OSC02



Applications

· WiMAX · Bluetooth

Features

- Small ceramic package / Dimensions (1.6 x 1.2 x 0.7)
- Low current consumption
- CMOS output / with Tri-state function

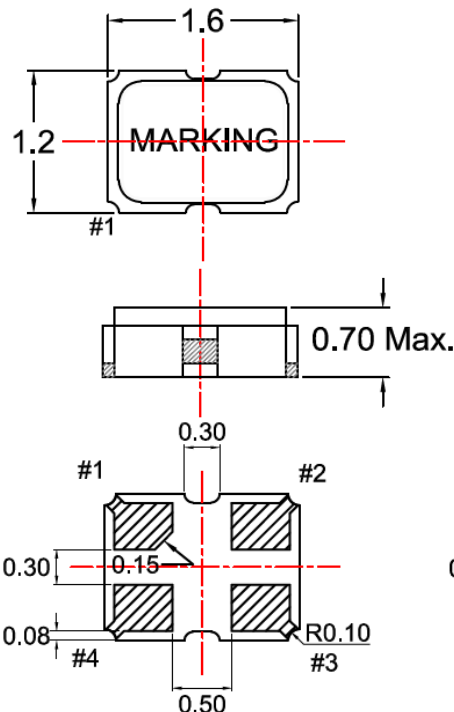
Specifications



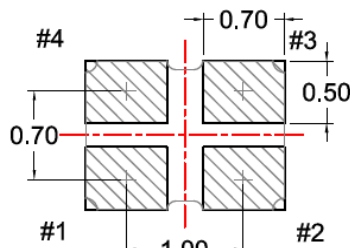
Model	OSC02		
Nominal frequency	5~60.0MHz		
Storage temperature range	-55 ~ +125 °C		
Operating temperature range	-40 ~ +125 °C		
Frequency stability	±25ppm / ±50ppm		
Frequency Temp. Characteristics	±50 ppm @-40~+105 °C,+25 °C as the reference		
Power supply voltage	1.8V DC±10%	2.5V DC±10%	3.3V DC±10%
Current consumption	2.5mA max@~20M	5mA max@~20M	6mA max@~20M
	5mA max@~54M	8mA max@~54M	9mA max@~54M
Output level	C-MOS		
Load	15 pF.		
Output voltage level	VOL: 10%Vcc max. / VOH: 90%Vcc min.		
Rise & Fall time	7ns max.@10%Vcc ~ 90%Vcc		
Duty cycle	45%~55% at 50%Vcc		
Start-up time	5ms max.		
Phase Jitter	1.0ps max.@12KHz to 20MHz		

Package quantity : 3,000pcs max./Reel

Outline and Dimensions [unit: mm]



Land Pattern(REFERENCE)



Terminal	Connection
#1	Tri-state or N.C
#2	GND
#3	Output
#4	Vcc

Tri-state Function	
Tri-state pin	Output
High or Floating	Active
Low	Hi-Impedance