

TEMPERATURE-COMPENSATED OSCILLATOR TXO97



Applications Features

- GPS / WiMAX / LTE / Wifi
- Communication Equipment
- Ultra-thin / Dimensions (2.0x1.6x0.8)
- Sealed
- High stability $\pm 0.5\text{ppm} / -40 \sim +85^\circ\text{C}$
- Low power supply voltage (1.2V)
- Sine wave output with O/E function

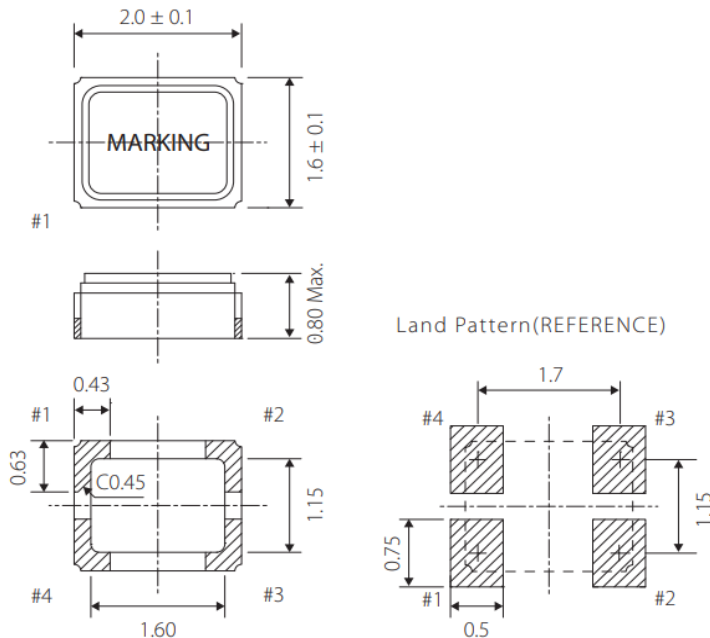
Specifications



Model		TXO97
Nominal frequency		13.000~52.000MHz
Nominal frequency (MHz)		19.2, 26, 38.4, 52
Frequency stability	Tolerance at 25°C	$\pm 2.0 \times 10^{-6}$ (Sixty minutes after reflow)
	Temperature (Ref.to+25°C)	$\pm 0.5 \times 10^{-6} / -40 \sim +85^\circ\text{C}$
	Supply voltage change	$\pm 0.2 \times 10^{-6} / V_{\text{dd}} \pm 5\%$
	Load change	$\pm 0.2 \times 10^{-6} / Z_L \pm 10\%$
Aging (at 25°C)		$\pm 1.0 \times 10^{-6} / \text{year at } +25^\circ\text{C}$
Storage temperature range		-40~+95°C
Power supply voltage		+1.2V ~ +1.8V $\pm 5\%$
Current consumption		1.5mA max. (~26MHz), 2.0mA max. (~32MHz), 2.5mA max. (~52MHz)
Output	Load (ZL)	10k Ω /10pF
	Voltage	0.8V p-p min.
	Waveform	Clipped Sine Wave (DC-coupled output)
Phase Noise		-135dBc typ. at 1kHz o set
O/E Function		#1: "H"→Output enable / #1: "L"→Output disable (Hi-Z)

Package quantity : 3,000pcs max./Reel

Outline and Dimensions [unit: mm]



Terminal	Connection
#1	OE
#2	GND
#3	OUTPUT
#4	Vcc

OE Function	
OE	OUTPUT
High	Active
Low	Hi-Impedance