

CRYSTAL OSCILLATOR

OSCA5 Low Phase Jitter



Applications

- Data centers / Gbits / Ethernet
- Optical modules/ Internet of Things
- 5G network infrastructure/ Servers

Features

- Small ceramic package / Dimensions (2.0* 1.6 *0.75)
- Low Phase Jitter
Jitter 60 fs max @12KHz to 20MHz

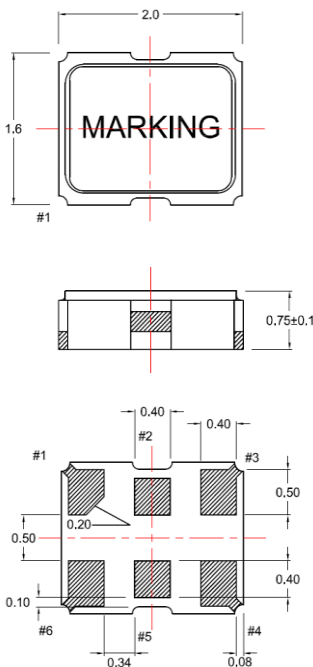
Specifications



Model	OSCA5
Nominal frequency	31.25~160.0MHz
Storage temperature range	-55 ~ +125 °C
Operating temperature range	-40 ~ +85 °C
Frequency stability	±50ppm / ±100ppm
Power supply voltage	1.8V, 2.5V, 3.3V DC±10%
Current consumption	25 mA max.
Output level	LVDS
Output Load	100 Ω (OUT-OUTN)
Output voltage level	VOL: 1.6 V max. / VOH: 0.9 V min.
Rise & Fall time	0.5ns max. @20%Vopp ~ 80%Vopp
Duty cycle	45%~55% at 50%Vopp
Start-up time	5ms
Phase Jitter	60 fs max. @12KHz to 20MHz (156.25MHz)
Jitter	5 ps max. @RMS Jitter

Package quantity : 3,000pcs max./Reel

Outline and Dimensions [unit: mm]



Terminal	Connection
#1	Tri-state or N.C
#2	N.C
#3	GND
#4	OUT1
#5	OUT2
#6	Vcc

Tri-state Function	
Tri-state pin	Output
High or Floating	Active
Low	Hi-Impedance

Land Pattern(REFERENCE)

