

# CRYSTAL OSCILLATOR

## OSC8A Low Phase Jitter



### Applications

- Data centers / Gbits / Ethernet
- Optical modules/ Internet of Things
- 5G network infrastructure/ Servers

### Features

- Small ceramic package / Dimensions (3.2\* 2.5 \*0.95)
- Low Phase Jitter  
Jitter 60 fs max @12KHz to 20MHz

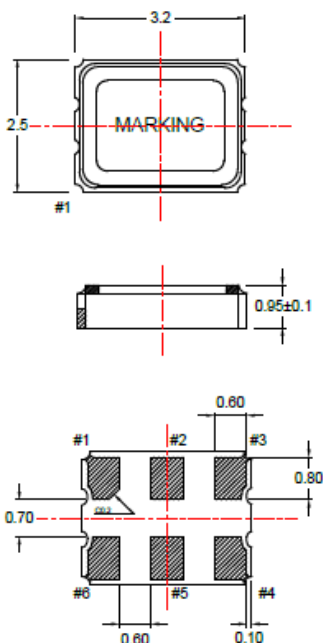
### Specifications



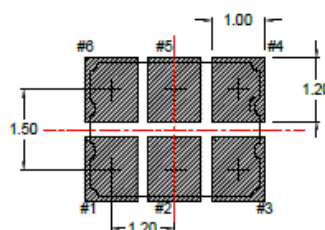
Model	OSC8A
Nominal frequency	31.25~160.0MHz
Storage temperature range	-55 ~ +125 °C
Operating temperature range	-40 ~ +85 °C
Frequency stability	±50ppm / ±100ppm
Power supply voltage	1.8v, 2.5V, 3.3V DC±10%
Current consumption	40 mA max.
Output level	LVPECL
Output Load	50 Ω ( terminus to Vcc-2V )
Output voltage level	VOL: VCC-1.620V max. / VOH: VCC-1.025V min.
Rise & Fall time	0.5ns max. @20%Vopp ~ 80%Vopp
Duty cycle	45%~55% at 50%Vopp
Start-up time	5ms @90%VDD
Phase Jitter	60 fs max. @12KHz to 20MHz (156.25MHz)
Jitter	5 ps max. @RMS Jitter

Package quantity : 3,000pcs max./Reel

### Outline and Dimensions [unit: mm]



Land Pattern(REFERENCE)



Terminal	Connection
#1	Tri-state or N.C
#2	NC
#3	GND
#4	OUT
#5	OUTN
#6	Vcc

Tri-state Function	
Tri-state pin	Output
High or Floating	Active
Low	HI-Impedance